



US00D635676S

(12) **United States Design Patent**
Voix et al.

(10) **Patent No.:** **US D635,676 S**

(45) **Date of Patent:** **** Apr. 5, 2011**

(54) **IN-EAR DEVICE**

(75) Inventors: **J r mie Voix**, Montreal (CA); **Francis Bernier**, Montreal (CA)

(73) Assignee: **Sonomax Technologies Inc.**, Montr al, Qu bec (CA)

(**) Term: **14 Years**

(21) Appl. No.: **29/347,385**

(22) Filed: **Dec. 22, 2009**

(51) **LOC (9) Cl.** **24-99**

(52) **U.S. Cl.** **D24/174; 24/99**

(58) **Field of Classification Search** D24/173 -175, D24/106; D14/205, 223, 224, 249; 381/23.1, 381/312, 322-324, 328-330, 334, 151, 380, 381/381; 181/129, 130, 135, 137

See application file for complete search history.

(56) **References Cited**

U.S. PATENT DOCUMENTS

D208,784	S	*	10/1967	Sanzone	D24/174
D297,979	S	*	10/1988	Voroba et al.	D24/174
4,870,688	A	*	9/1989	Voroba et al.	381/322
D367,113	S	*	2/1996	Weeks	D24/174
5,659,156	A	*	8/1997	Mauney et al.	181/130
5,784,471	A	*	7/1998	Bebenroth	381/322
D397,796	S	*	9/1998	Yabe et al.	D24/174
D455,835	S	*	4/2002	Anderson et al.	D24/174

D514,551	S	*	2/2006	Lee et al.	D14/223
D532,520	S	*	11/2006	Kampmeier et al.	D24/174
D559,837	S	*	1/2008	Nakano	D14/223
D596,295	S	*	7/2009	Hedstrom et al.	D24/174
7,639,831	B2	*	12/2009	Hagberg	381/380

* cited by examiner

Primary Examiner — T. Chase Nelson

Assistant Examiner — Anhdao Doan

(74) *Attorney, Agent, or Firm* — Equinox Protection; Franz Bonsang, Patent Agent

(57) **CLAIM**

The ornamental design for an in-ear device, as shown and described.

DESCRIPTION

FIG. 1 is a top perspective view of an in-ear device of the new design;

FIG. 2 is a front elevational view thereof;

FIG. 3 is a left side elevational view thereof;

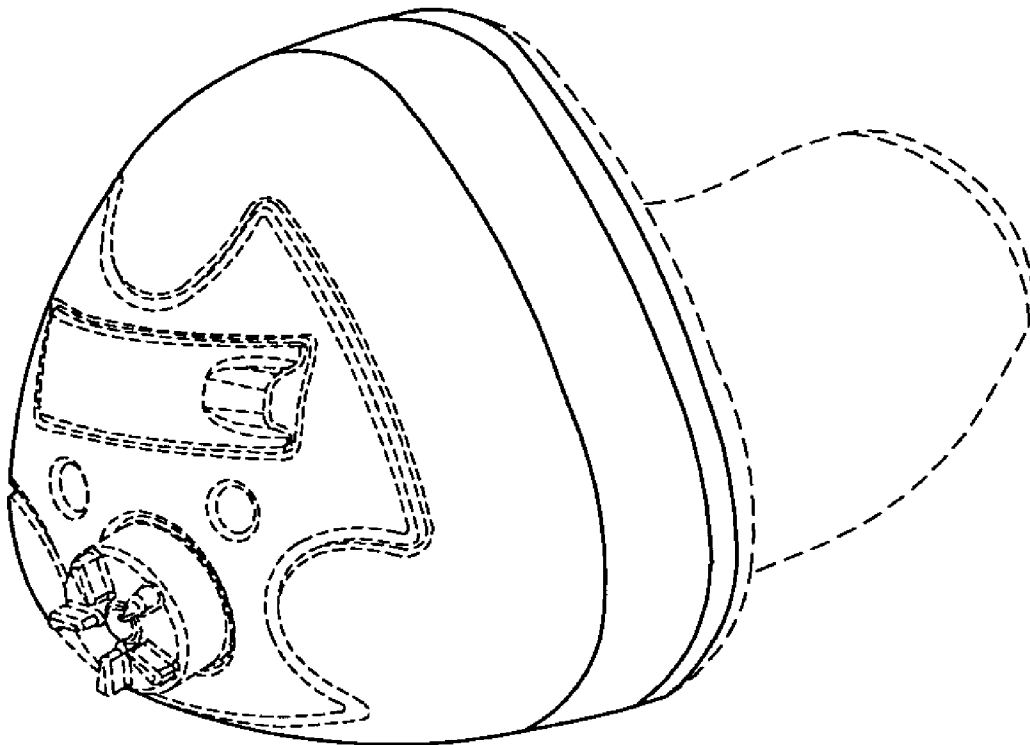
FIG. 4 is a right side elevational view thereof;

FIG. 5 is a bottom plan view thereof; and,

FIG. 6 is a top plan view thereof.

In all Figures, the broken lines representing environmental structures are for illustrative purposes only and do not form part of the design.

1 Claim, 3 Drawing Sheets



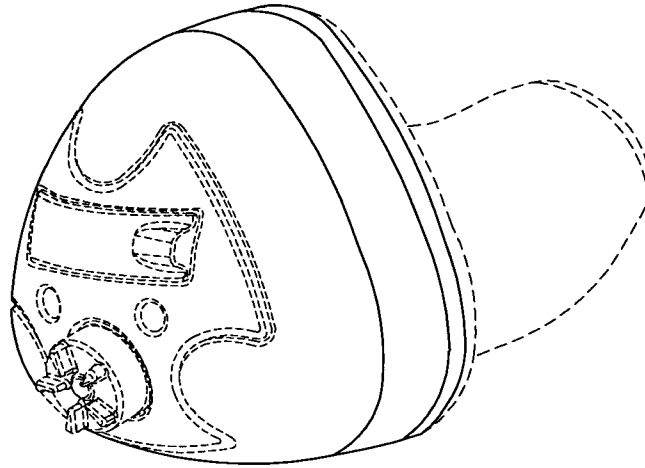


FIG. 1

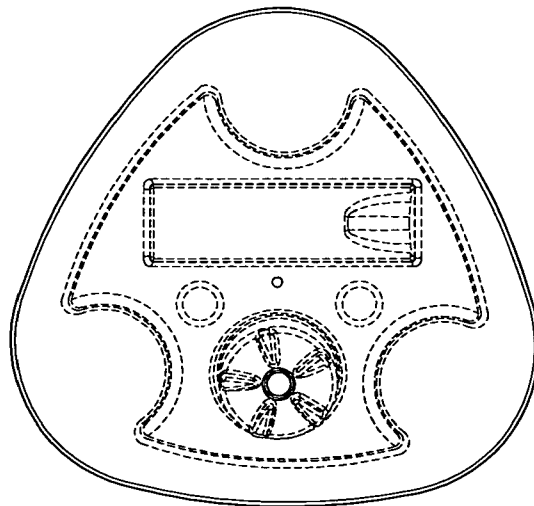


FIG. 2

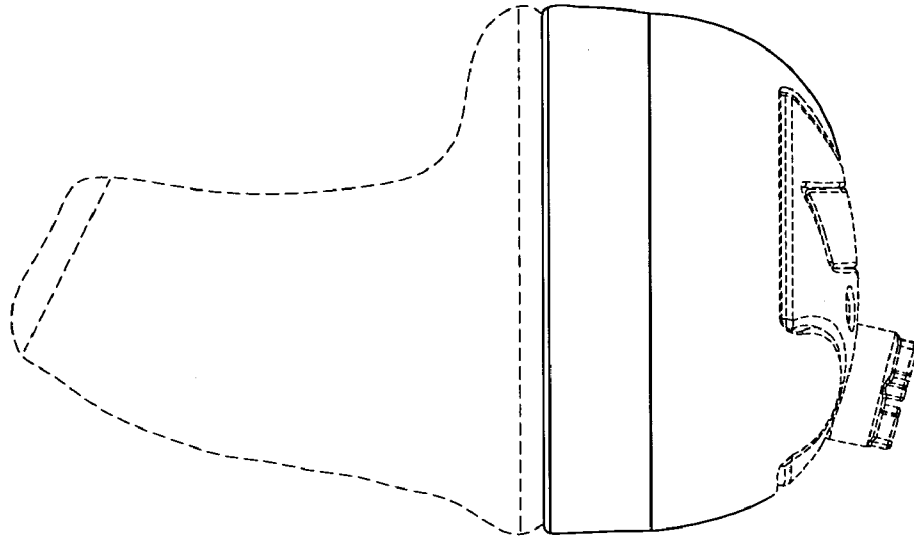


FIG.3

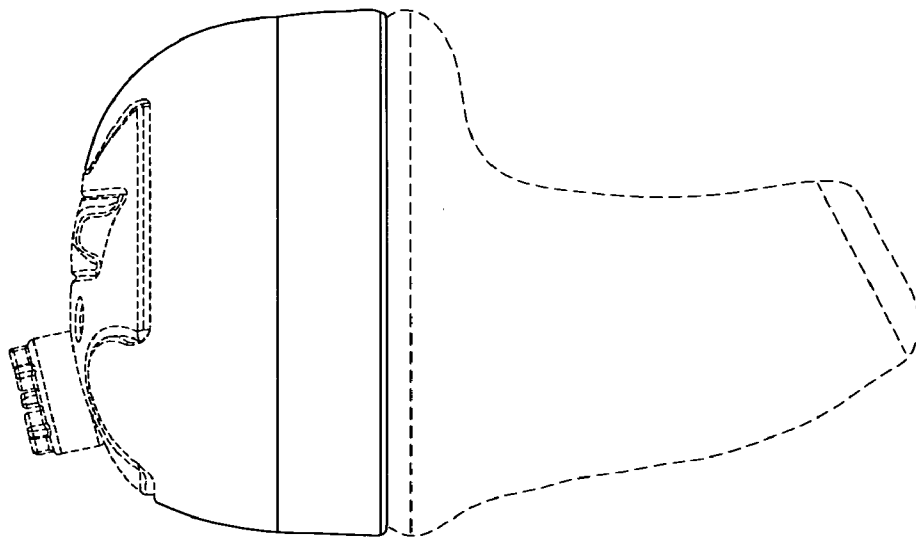


FIG.4

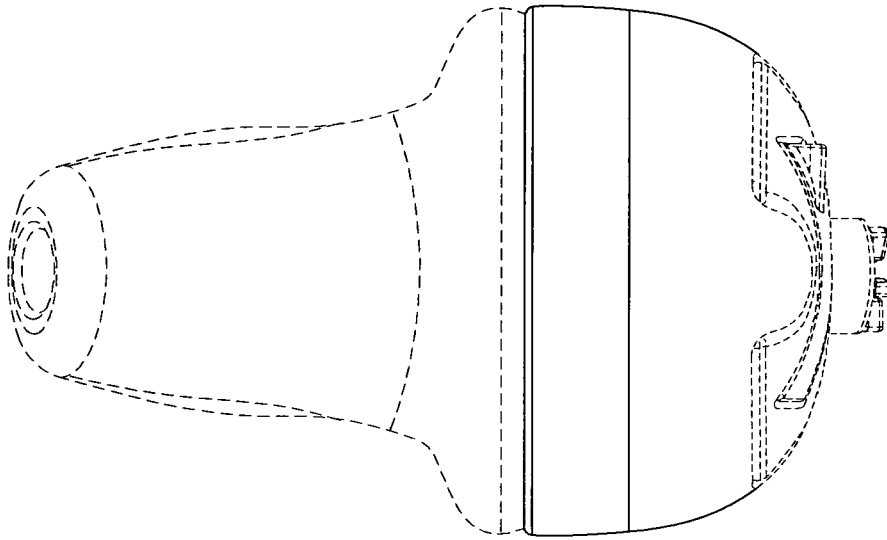


FIG. 5

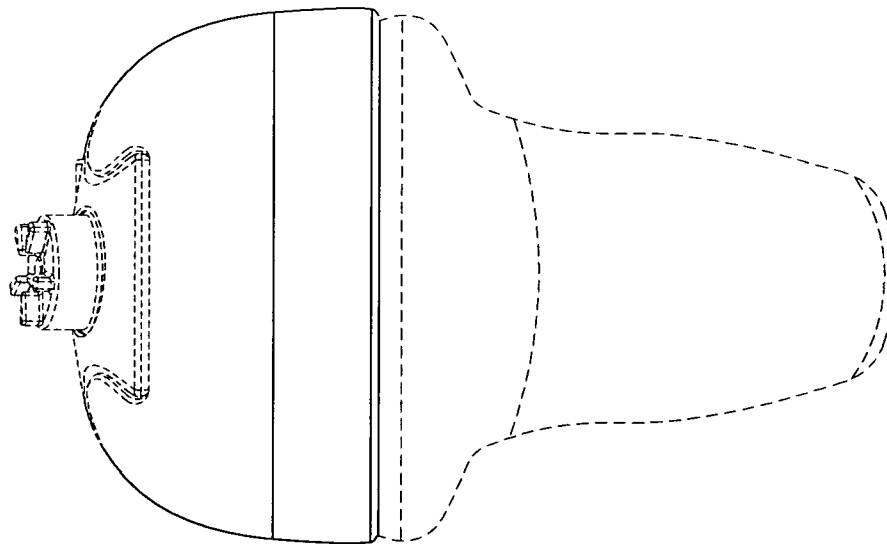


FIG. 6